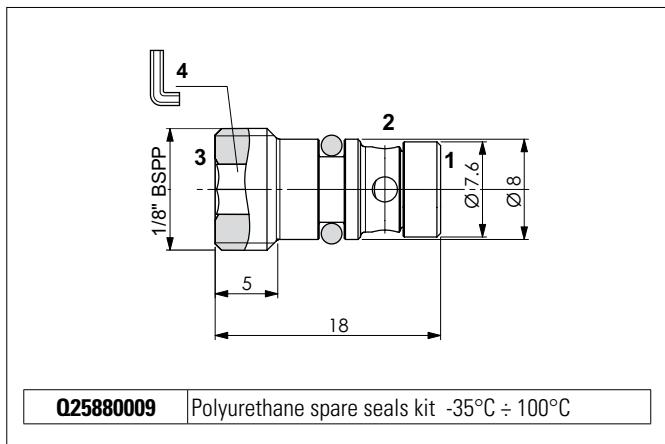


SHUTTLE VALVES

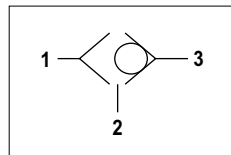


The shuttle type cartridge valves allow taking of the highest pressure signal to the external port via displacement of tempered and ground steel ball. There are usually employed to signal the actuator load to a load sensing pump pressure compensator. External steel body.

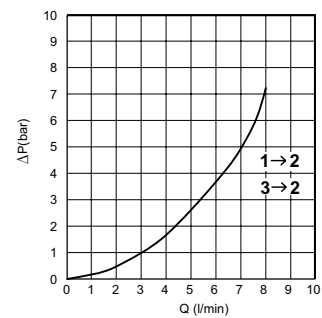
HYDRAULIC FEATURES

Max. working pressure	400 bar
Max. Flow	8 l/min
Hydraulic fluid	DIN 51524 Mineral oils
Fluid viscosity	10 ÷ 500 mm ² /s
Fluid temperature	-25°C ÷ 75°C
Ambient temperature	-25°C ÷ 60°C
Max. contamin. level class with filter	ISO 4406:1999 - class 19/17/14
Weight	0.006 kg
Tightening torque	16 ÷ 18 Nm
Cavity (G 1/8)	CG001002 (See section 15)

HYDRAULIC SYMBOL

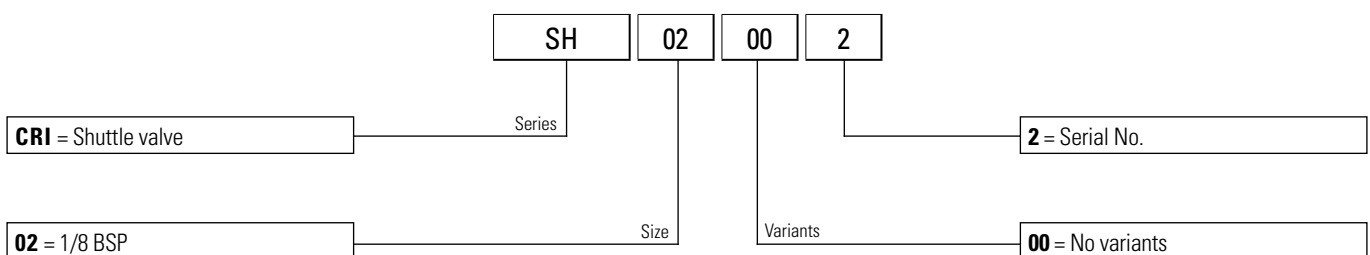


PRESSURE DROPS

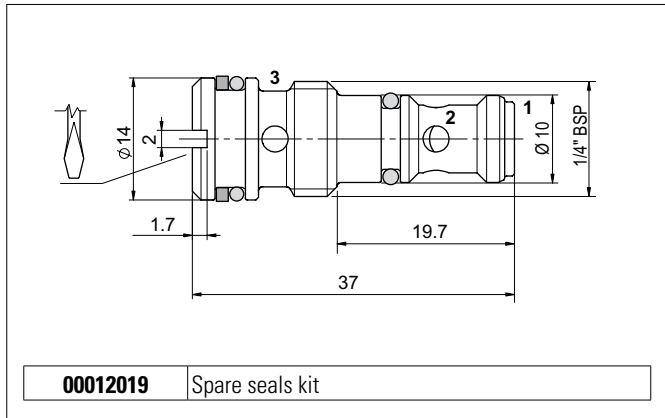


Fluid used: mineral based oil with viscosity 46 mm²/s at 40°C.

ORDERING CODE



SHUTTLE VALVES

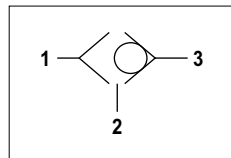


The shuttle type cartridge valves allow taking of the highest pressure signal to the external port via displacement of ball in tempered and ground steel. There are usually employed to signal the actuator load to a load sensing pump pressure compensator. External steel body protected on surface by zinc plating.

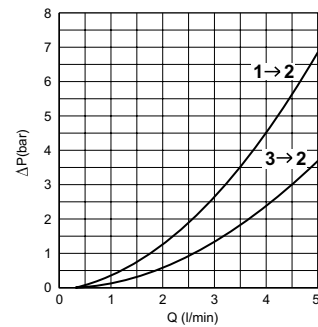
HYDRAULIC FEATURES

Max. working pressure	350 bar
Max. Flow	5 l/min
Max. Leakage (0 ÷ 5 drops/min)	0 ÷ 0.25 cm ³ /min
Hydraulic fluid	DIN 51524 Mineral oils
Fluid viscosity	10 ÷ 500 mm ² /s
Fluid temperature	-25°C ÷ 75°C
Ambient temperature	-25°C ÷ 60°C
Max. contamin. level class with filter	ISO 4406:1999 - class 19/17/14
Weight	0.023 kg
Tightening torque	18 ÷ 20 Nm
Cavity (1/4 BSP)	CA012001 (See section 15)

HYDRAULIC SYMBOL

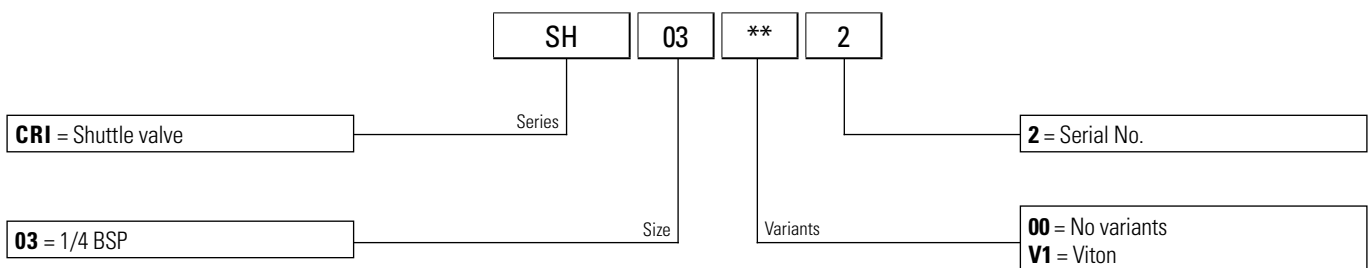


PRESSURE DROPS

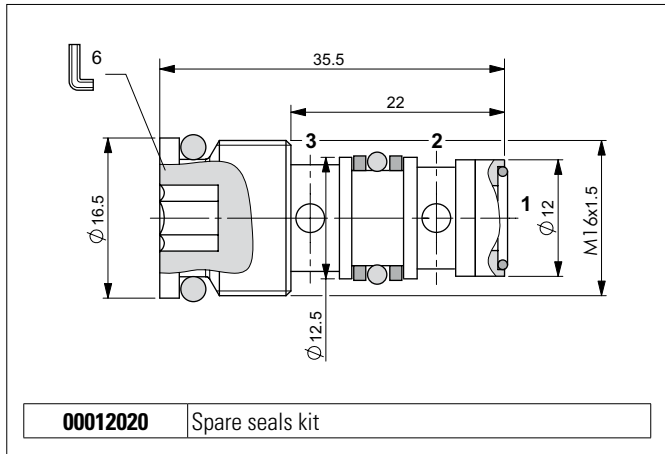


Fluid used: mineral based oil with viscosity 46 mm²/s at 40°C.

ORDERING CODE

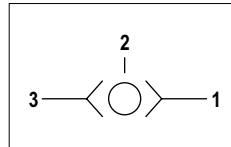


SHUTTLE VALVES



The shuttle type cartridge valves allow taking of the highest pressure signal to the external port via displacement of ball in tempered and ground steel. There are usually employed to signal the actuator load to a load sensing pump pressure compensator. External steel body protected on surface by zinc plating.

HYDRAULIC SYMBOL



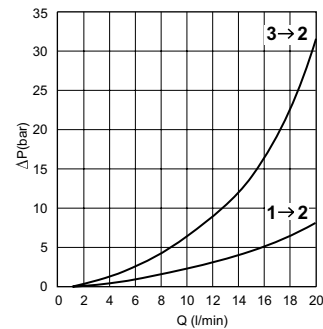
HYDRAULIC FEATURES

Max. working pressure	380 bar
Max. Flow	10 l/min
Max. Leakage (0 ÷ 5 drops/min)	0 ÷ 0.25 cm ³ /min
Hydraulic fluid	DIN 51524 Mineral oils
Fluid viscosity	10 ÷ 500 mm ² /s
Fluid temperature	-25°C ÷ 75°C
Ambient temperature	-25°C ÷ 60°C
Max. contamin. level class with filter	ISO 4406:1999 - class 19/17/14
Weight	0.029 kg
Tightening torque	16 ÷ 18 Nm
Cavity (M16x1.5)	CN037003 (See section 15)

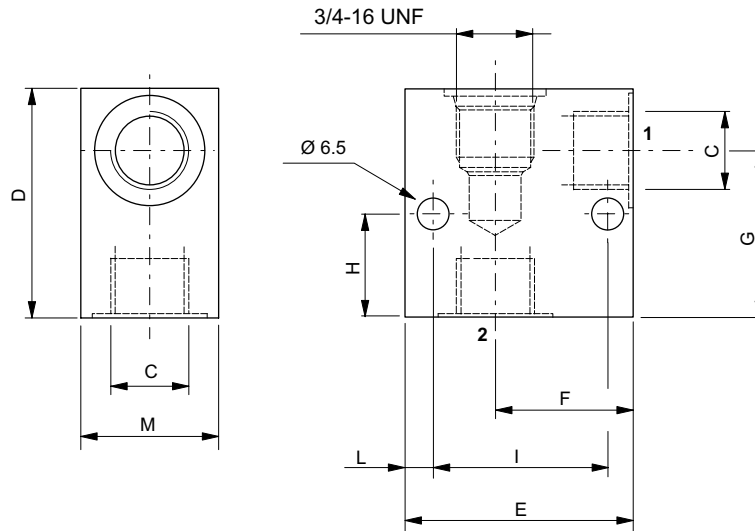
ORDERING CODE

Code	Type
RVLV0101160	Shuttle valve

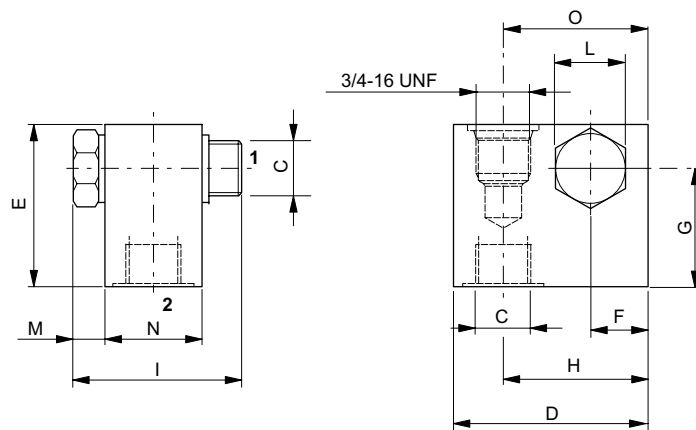
PRESSURE DROPS



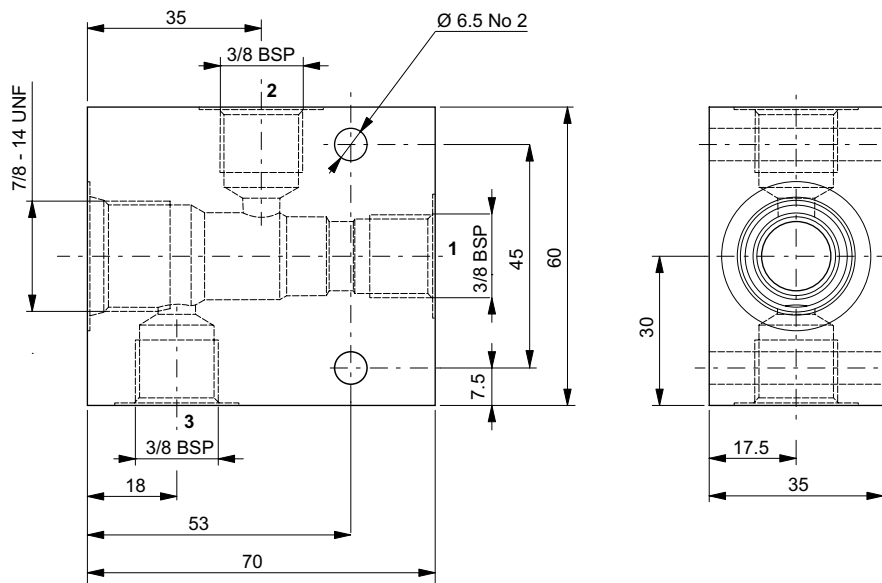
Fluid used: mineral based oil with viscosity 46 mm²/s at 40°C.



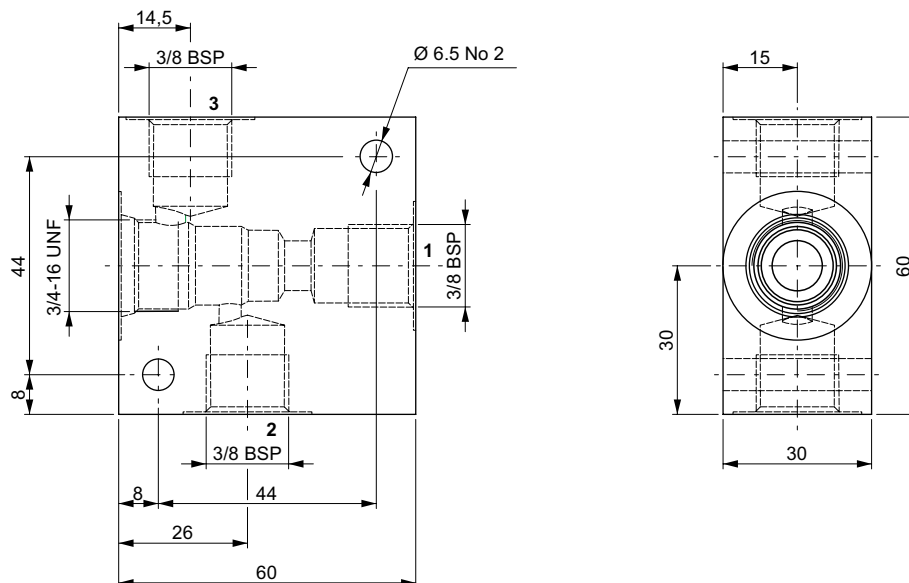
Code	C	D (mm)	E (mm)	F (mm)	G (mm)	H (mm)	I (mm)	L (mm)	M (mm)	Material	Cavity
F07100013	1/4 BSP	46	50	30,5	33	18	38	6	30	Alluminio EN AW 2011	CD018006
M18400061	3/8 BSP	55	60	38	41,25	25	45	7,5	30		
M18400071	1/2 BSP	60	60	35	41	6	48	6	40		



Code	C	D (mm)	E (mm)	F (mm)	G (mm)	H (mm)	I (mm)	L (mm)	M (mm)	N (mm)	O (mm)	Material	Cavity
17030532	3/8 BSP	50	50	16	32	35	51	22	9	30	34,5	Alluminium EN AW 2011	CD018006
V10500034	1/4 BSP	40	46	11	31	26	49	19	8	30	26		



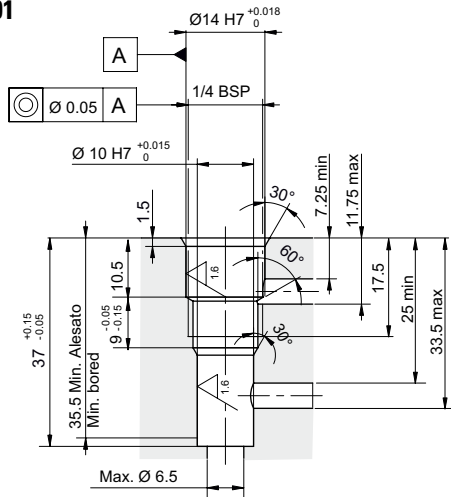
Code	Material	Cavity
M10850319	Alluminium - EN AW 2011	CD019006



Code	Material	Cavity
M10850206	Alluminium - EN AW 2011	CD018005

CA012001

1/4 BSP

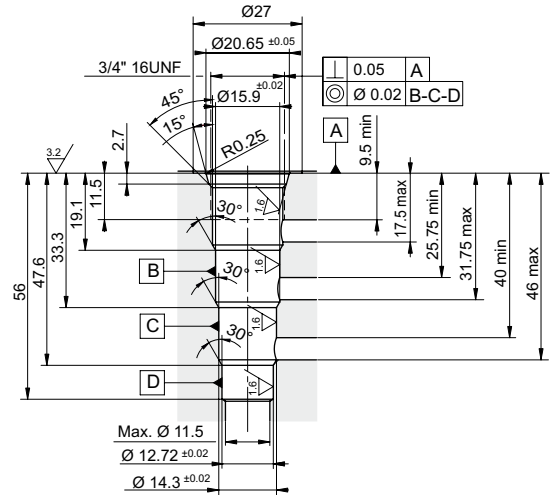


Plugs compatibility:

--	--	--	--	--

CD018001

3/4 16UNF

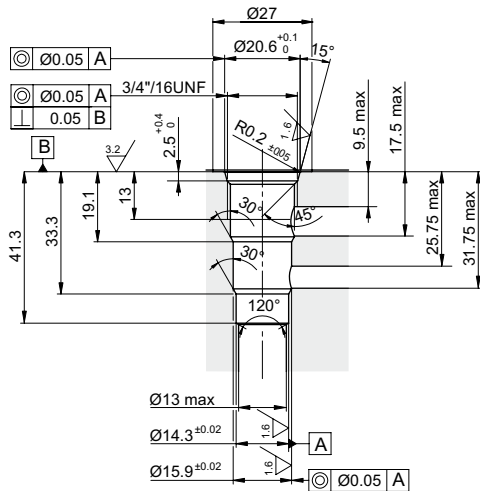


Plugs compatibility:

R78150114	R78150109	R78150111		
-----------	-----------	-----------	--	--

CD018003

3/4 16UNF

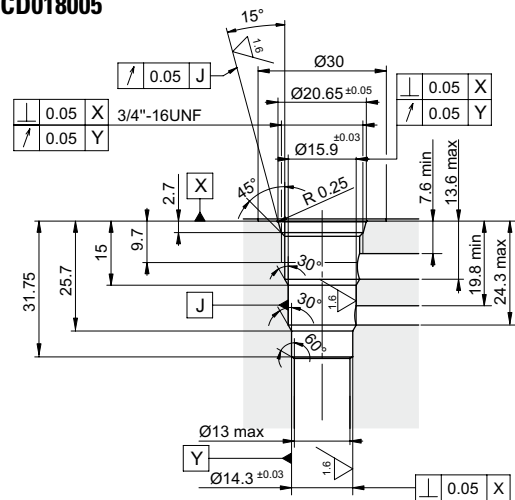


Plugs compatibility:

20001700	20001900			
----------	----------	--	--	--

CD018005

3/4 16UNF

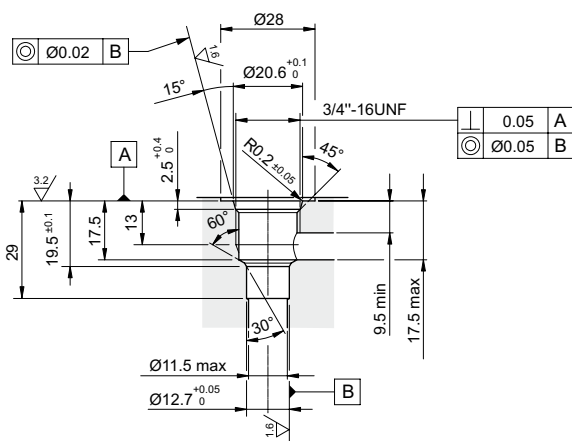


Plugs compatibility:

--	--	--	--	--

CD018006

3/4 16UNF

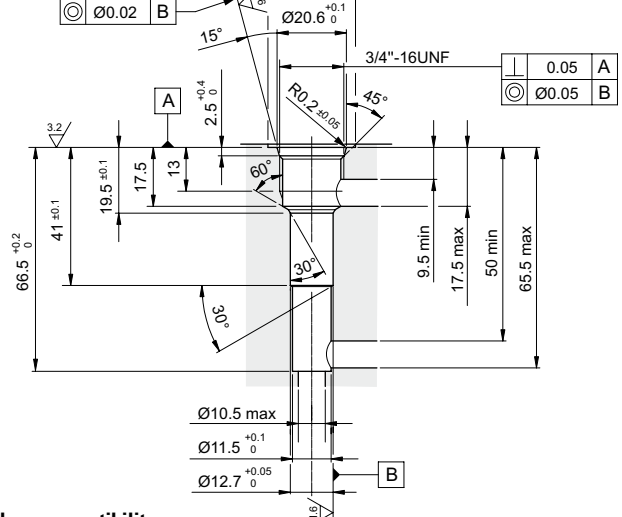


Plugs compatibility:

20001900	20001700	20003800	20009400	20018000
----------	----------	----------	----------	----------

CD018009

3/4 16UNF

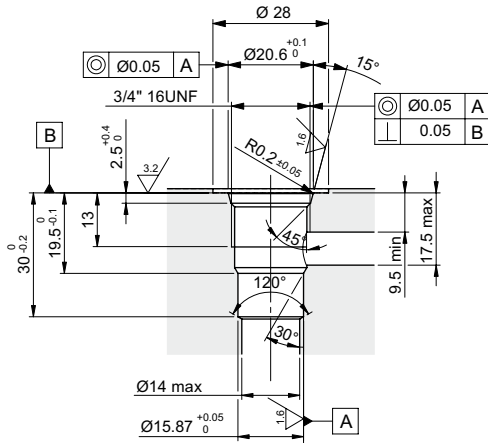


Plugs compatibility:

20001900	20001700	20003800	20009400	20018000
----------	----------	----------	----------	----------

CD018012

3/4 16UNF

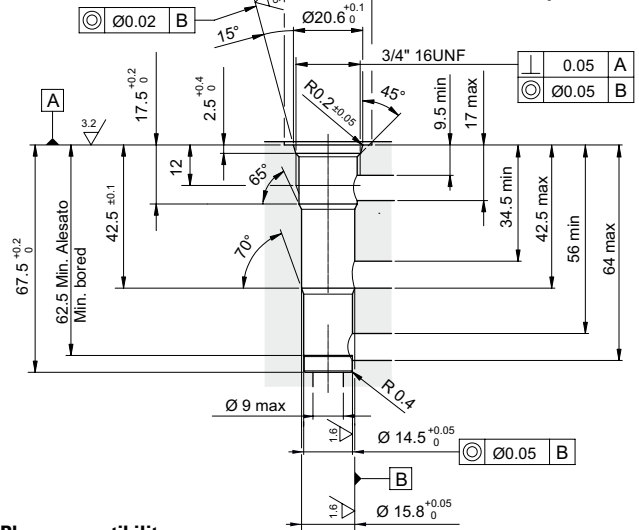


Plugs compatibility:

R78200A19	20001700	20001900		
-----------	----------	----------	--	--

CD018013

3/4 16UNF

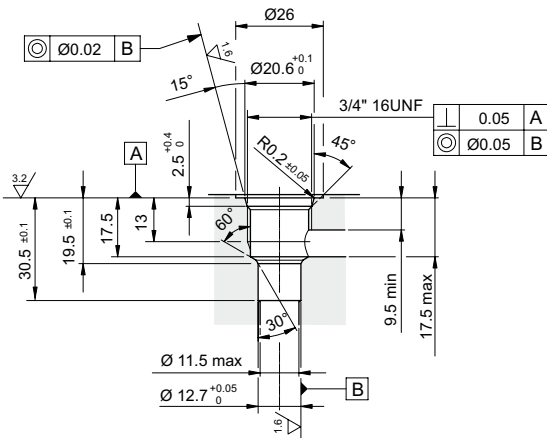


Plugs compatibility:

R78150100				
-----------	--	--	--	--

CD018014

3/4 16UNF

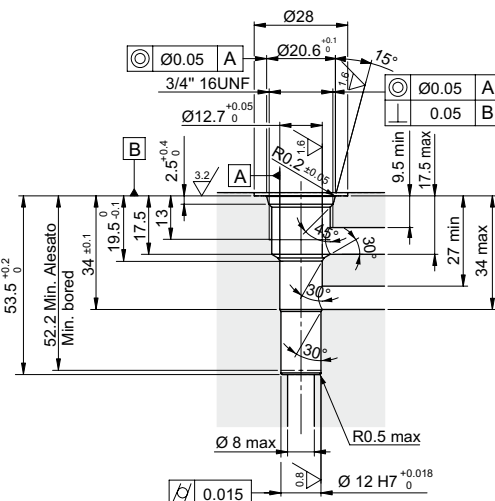


Plugs compatibility:

20001900	20001700	20003800	20009400	20018000
----------	----------	----------	----------	----------

CD018015

3/4 16UNF

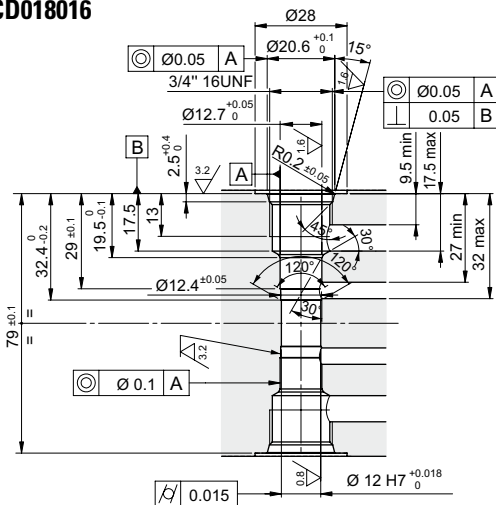


Plugs compatibility:

20018000	20001700	20001900	20003800	20009400
----------	----------	----------	----------	----------

CD018016

3/4 16UNF

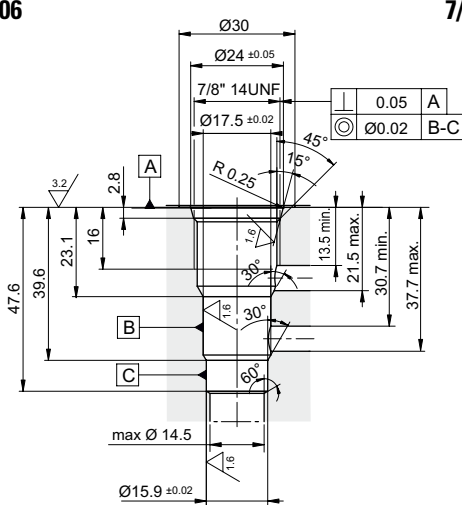


Plugs compatibility:

20018000	20001700	20001900	20003800	20009400
----------	----------	----------	----------	----------

CD019006

7/8 14UNF

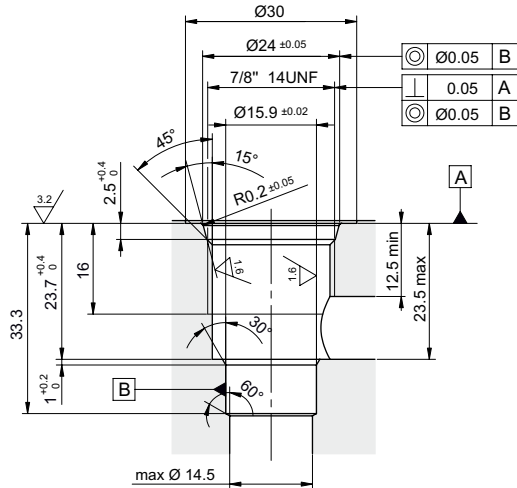


Plugs compatibility:

--	--	--	--	--

CD019007

7/8 14UNF

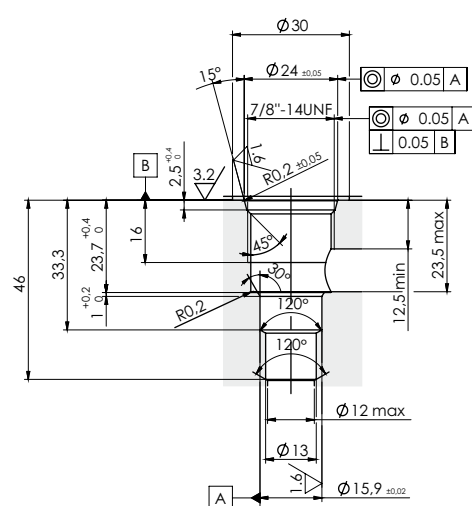


Plugs compatibility:

--	--	--	--	--

CD019011

7/8 14UNF

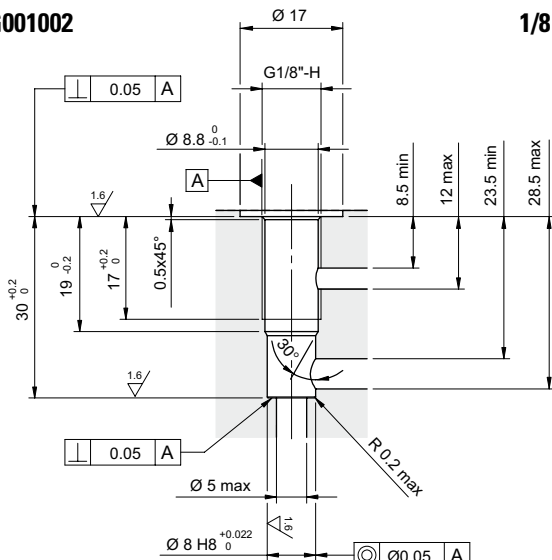


Plugs compatibility:

--	--	--	--	--

CG001002

1/8 BSP

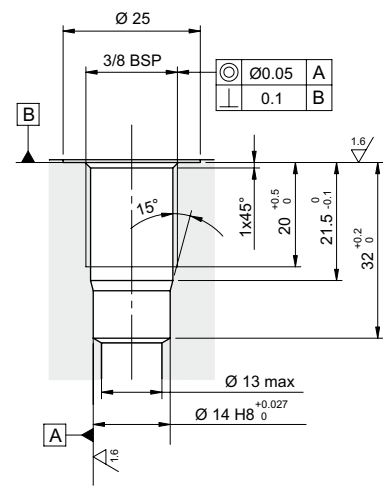


Plugs compatibility:

--	--	--	--	--

CG003004

3/8 BSP

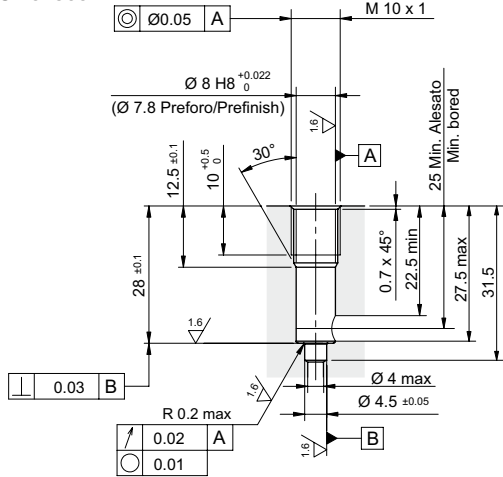


Plugs compatibility:

--	--	--	--	--

CN019002

M10X1

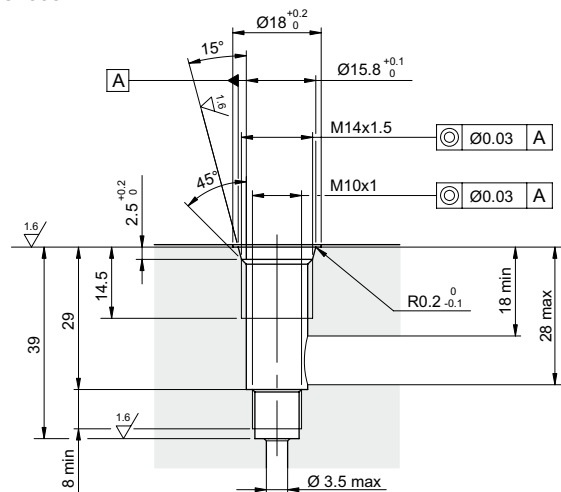


Plugs compatibility:

--	--	--	--	--

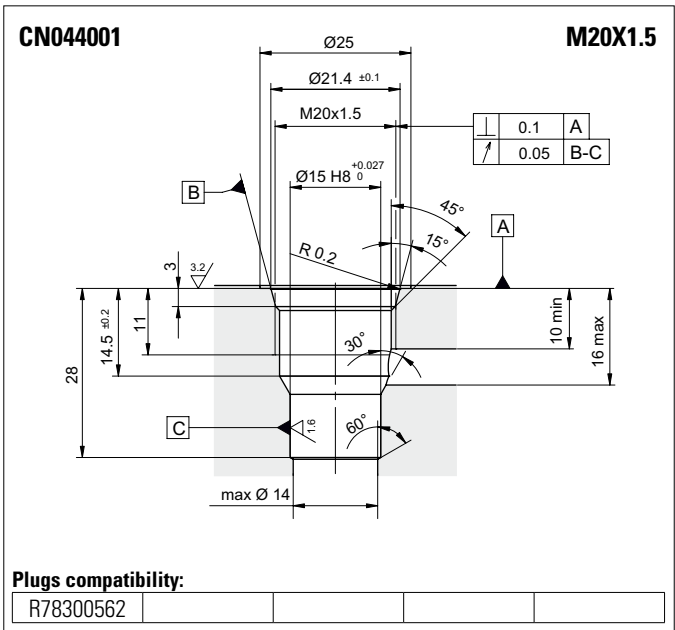
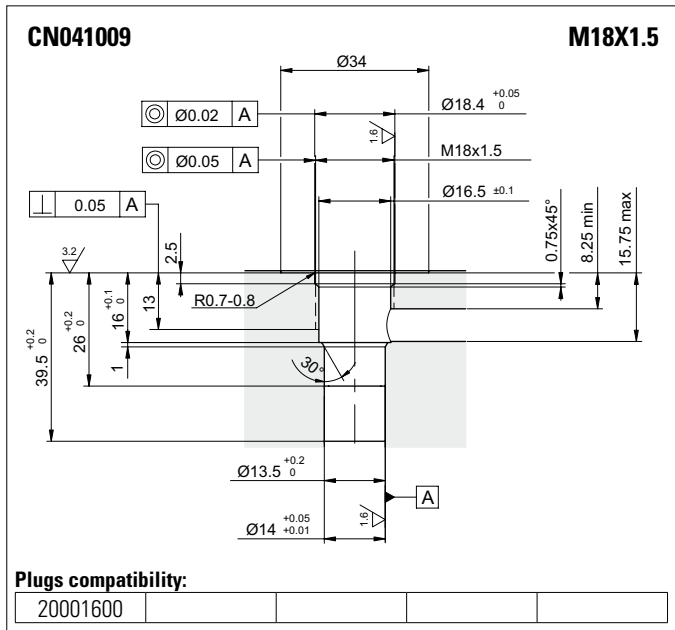
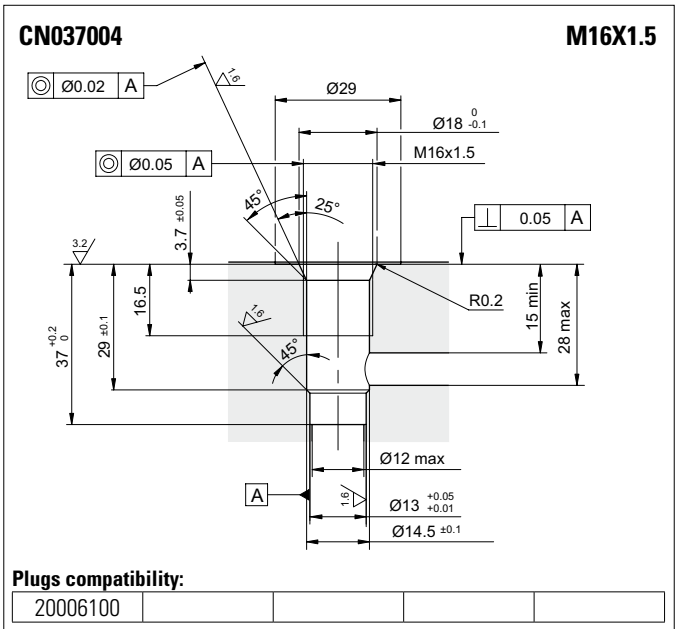
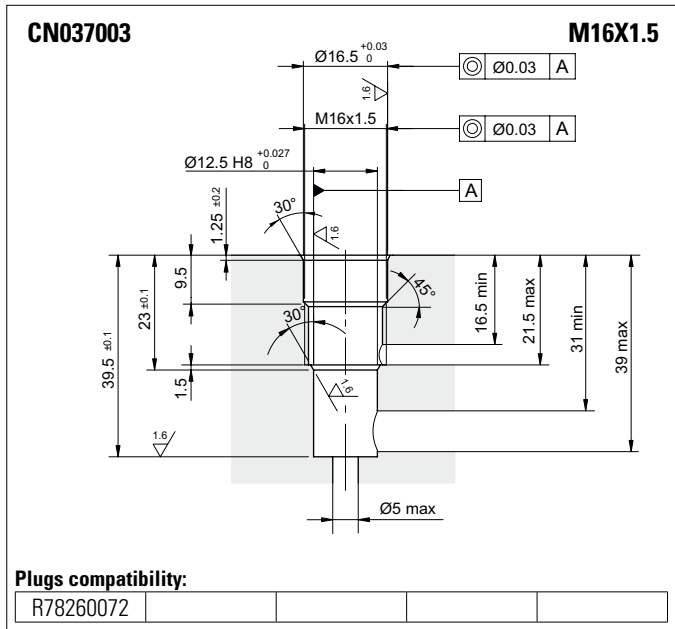
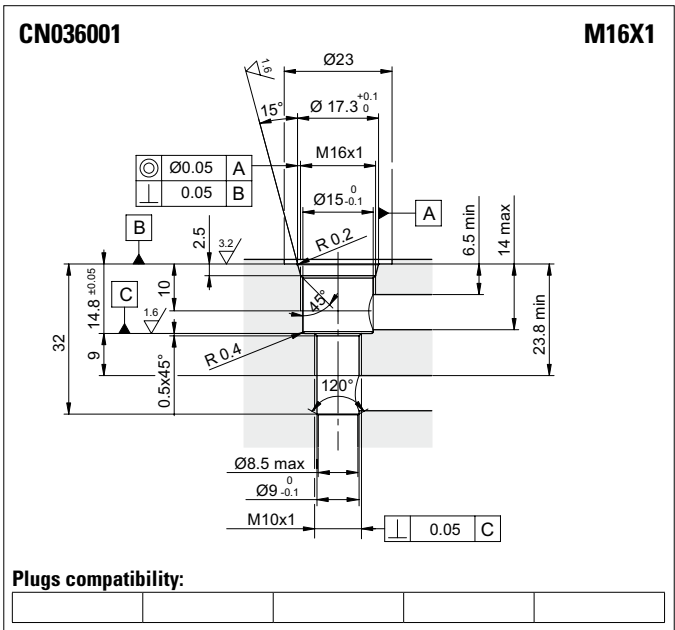
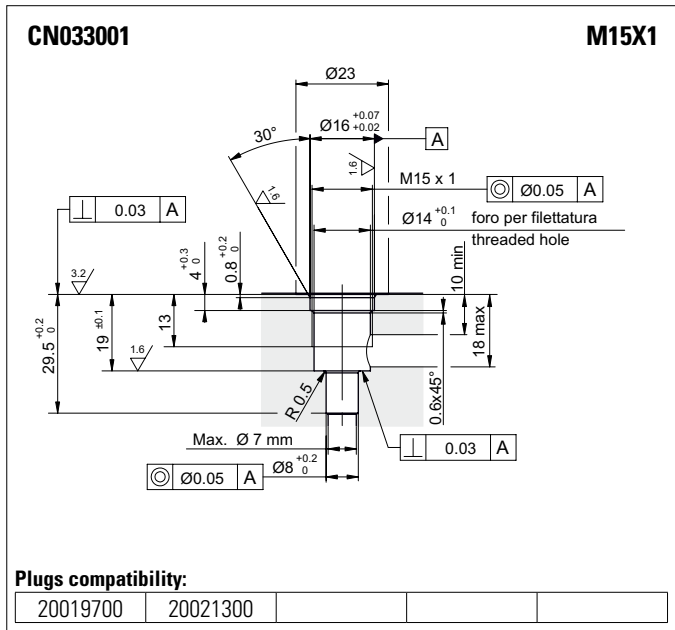
CN032005

M14X1.5



Plugs compatibility:

--	--	--	--	--



CN047002 **M22X1.5**

0.05	A
Ø0.02	B-C

Plugs compatibility:			
R78050014			

CN047003 **M22X1.5**

0.05	A
Ø0.02	B

Plugs compatibility:			
R78400A17			

CN051001 **M24X2**

0.05	A
Ø0.02	B

Plugs compatibility:			
R78300564			

CN059001 **M27X1.5**

Ø0.03	A
-------	---

Plugs compatibility:			

CN070001 **M33X2**

0.01	A
Ø0.02	B

Plugs compatibility:			
R78400568			

Plugs compatibility:

--	--	--	--